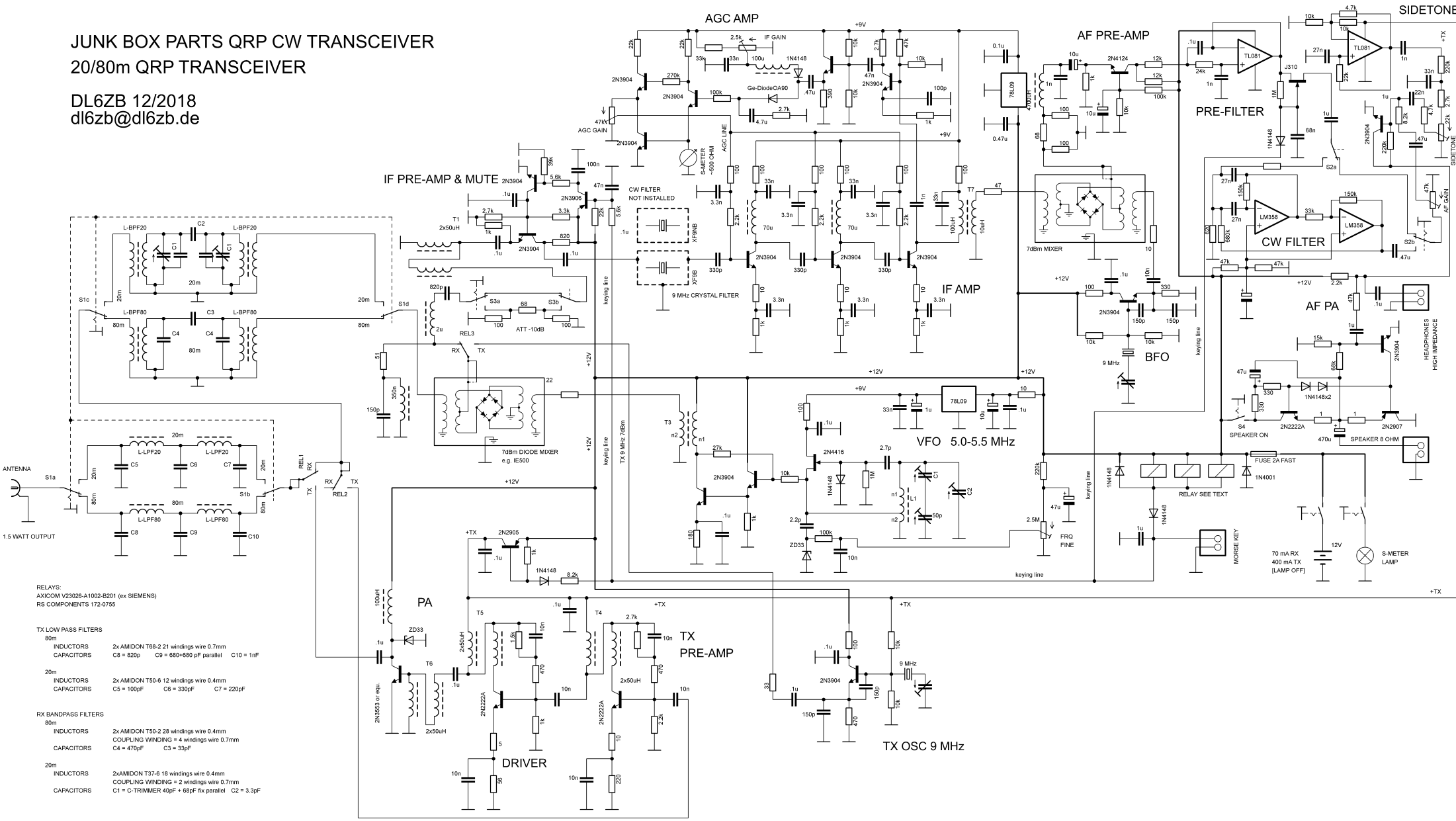


JUNK BOX PARTS QRP CW TRANSCEIVER

20/80m QRP TRANSCEIVER

DL6ZB 12/2018
dl6zb@dl6zb.de



- RELAYS:
AXICOM V23026-A1002-B201 (ex SIEMENS)
RS COMPONENTS 172-0755
- TX LOW PASS FILTERS**
80m
INDUCTORS 2x AMIDON T68-2 21 windings wire 0.7mm
CAPACITORS C8 = 820p C9 = 880+680 pF parallel C10 = 1nF
- 20m
INDUCTORS 2x AMIDON T50-6 12 windings wire 0.4mm
CAPACITORS C5 = 100pF C6 = 330pF C7 = 220pF
- RX BANDPASS FILTERS**
80m
INDUCTORS 2x AMIDON T50-2 28 windings wire 0.4mm
COUPLING WINDING = 4 windings wire 0.7mm
CAPACITORS C4 = 470pF C3 = 33pF
- 20m
INDUCTORS 2x AMIDON T37-6 18 windings wire 0.4mm
COUPLING WINDING = 2 windings wire 0.7mm
CAPACITORS C1 = C-TRIMMER 40pF + 68pF 1x parallel C2 = 3.3pF

+TX