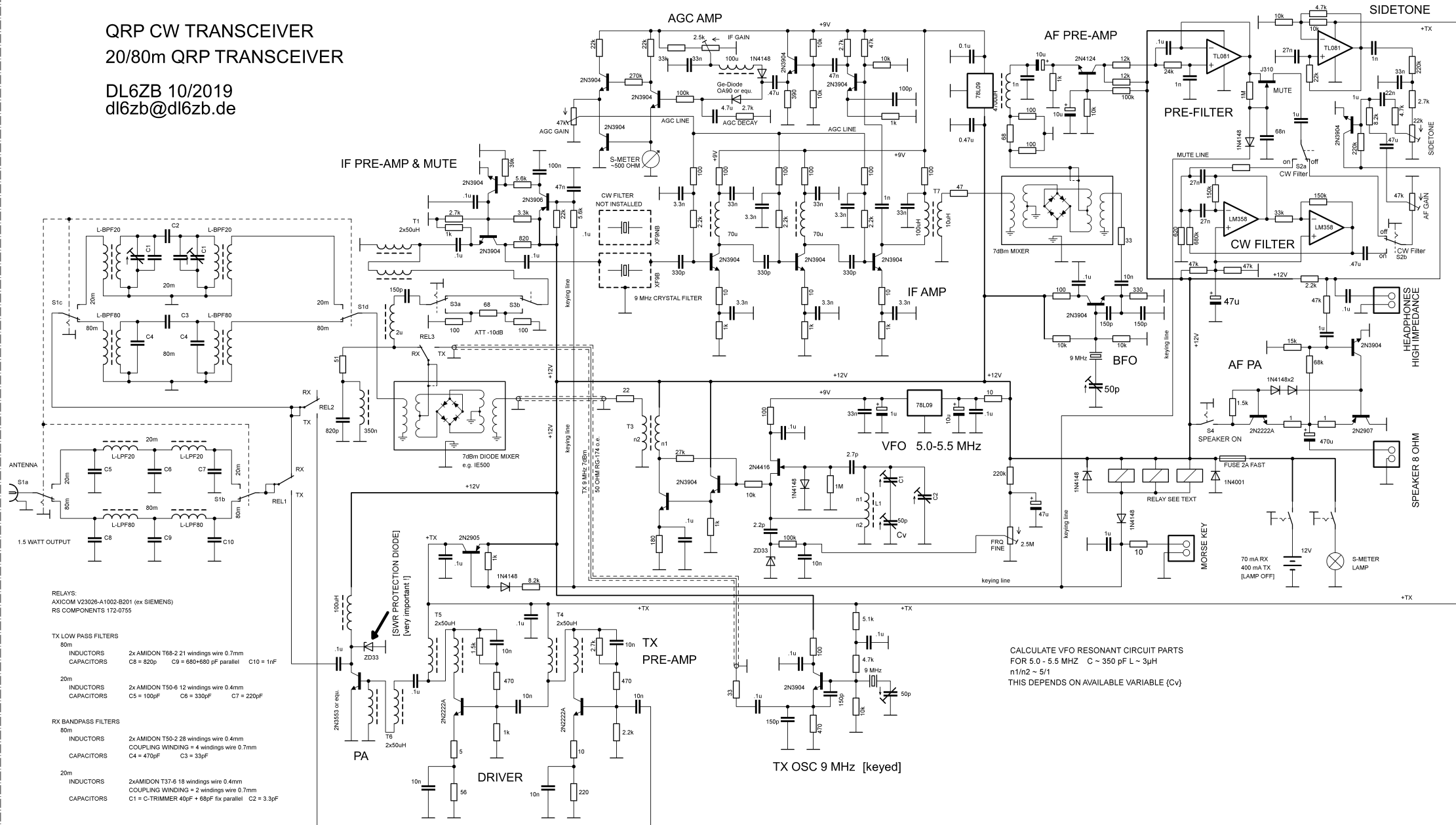


# QRP CW TRANSCEIVER 20/80m QRP TRANSCEIVER

DL6ZB 10/2019  
dl6zb@dl6zb.de



RELAYS:  
AXICOM V23026-A1002-B201 (ex SIEMENS)  
RS COMPONENTS 172-0755

**TX LOW PASS FILTERS**  
80m  
INDUCTORS 2x AMIDON T88-2 21 windings wire 0.7mm  
CAPACITORS C8 = 820p C9 = 680+680 pF parallel C10 = 1nF

20m  
INDUCTORS 2x AMIDON T50-2 12 windings wire 0.4mm  
CAPACITORS C5 = 100pF C6 = 330pF C7 = 220pF

**RX BANDPASS FILTERS**  
80m

INDUCTORS 2x AMIDON T50-2 28 windings wire 0.4mm  
COUPLING WINDING = 4 windings wire 0.7mm  
CAPACITORS C4 = 470pF C3 = 330pF

20m  
INDUCTORS 2x AMIDON T37-6 18 windings wire 0.4mm  
COUPLING WINDING = 2 windings wire 0.7mm  
CAPACITORS C1 = C-TRIMMER 40pF + 68pF (fix parallel) C2 = 3.3pF

CALCULATE VFO RESONANT CIRCUIT PARTS  
FOR 5.0 - 5.5 MHz C ~ 350 pF L ~ 3µH  
n1/n2 ~ 5/1  
THIS DEPENDS ON AVAILABLE VARIABLE (CV)