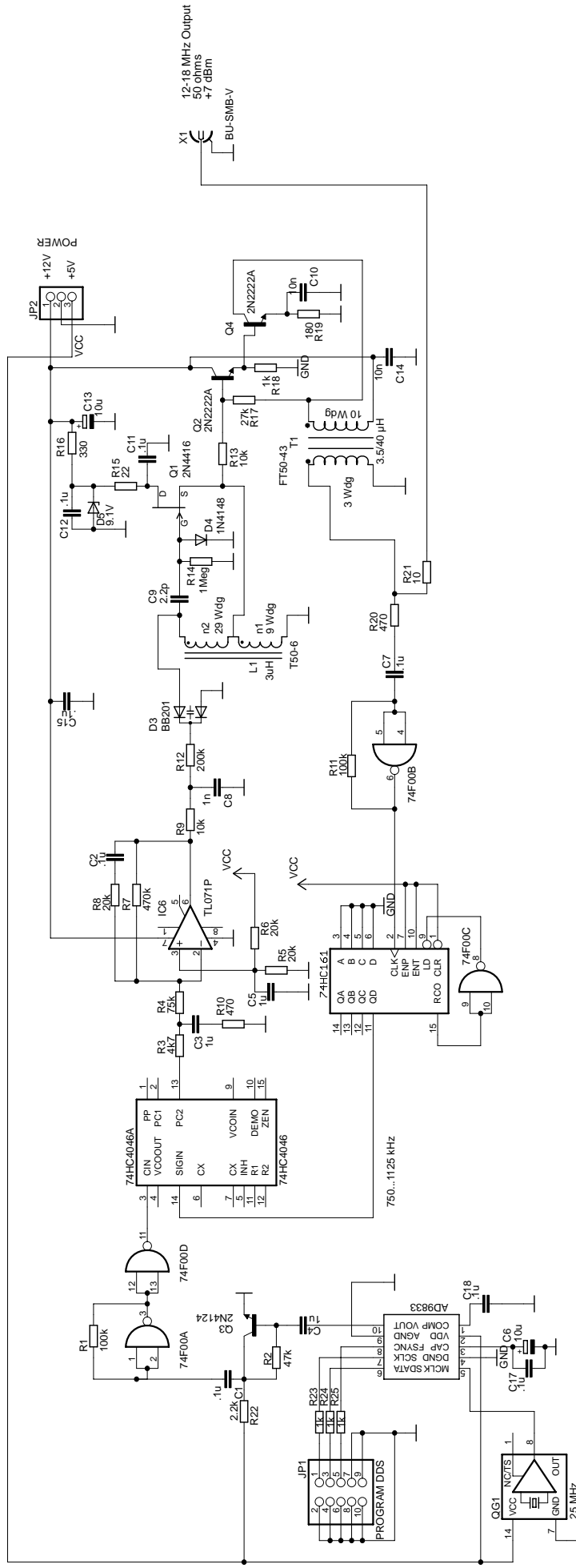


Phase Locked Loop 12 - 18 MHz



DL6MBI Rolf Heine	
Phase Locked Loop 12-18 MHz	
TITLE: PLL	
Document Number:	REV:
Date: 06.05.2011 19:51:42	Sheet: 1/1

This PLL is part of my 160-40m TRX
IF = 10.7 MHz
www.dl6mbi.de